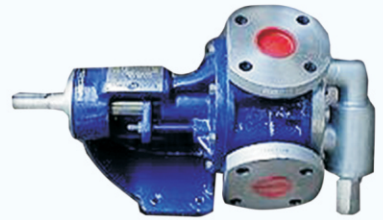


INTERNAL GEAR PUMP

IGP PUMP



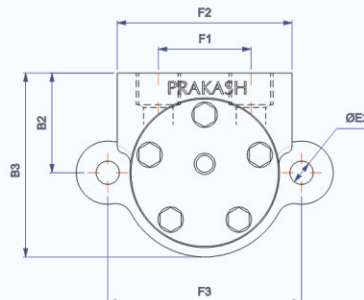
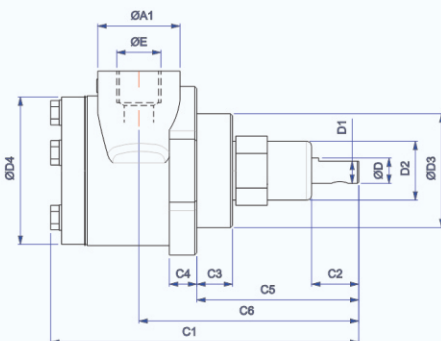
Application

Prakash Internal Gear Pumps are dependable and efficient in many types of industrial pumping applications like

- Ink Industries
- Sugar Industries
- Gum Industries
- Chemical Industries
- Soap Industries

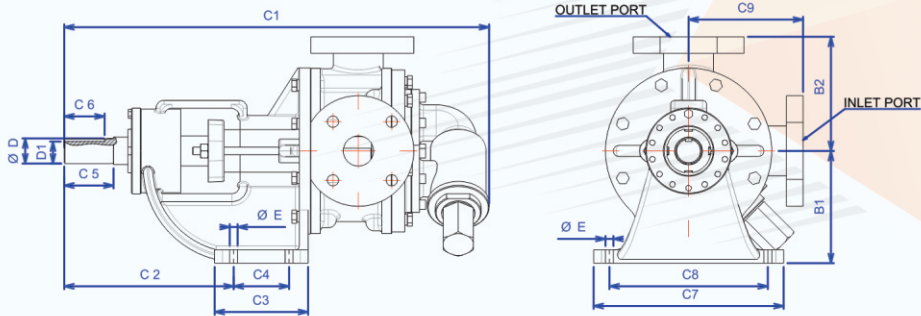
Features

- Prakash Internal Gear Pumps are of positive displacement type and are ideally suited for handling lubricating fuel oils and other liquids, having self-lubricating properties.
- These pumps are specially designed for handling liquids with both very low viscosity and very high viscosity, free from abrasive particles.
- Prakash Internal Gear pumps are suitable for suction to lift up to 15 feet (depending upon the Braking point of volatile liquid).
- Heavy, viscous liquids are readily handled with a reduction in speed from standard ratings, therefore capacity is correspondingly reduced.



Overall Dimension

Model	ØA1	ØD4	C1	C2	C3	C4	D1	ØD	ØD3	ØE	F1	F2	F3	B1	B2	ØE2
IGP K-X02	39	72	141	23	75	96	10.5	12	54	3/8" BSP	44	83	92	47.3	87.3	11
IGP KK-X02	60	95	215	27.5	126	163.5	15	18	60	1" BSP	62	110	119	70	123	12.5



MODEL	ØD	D1	C1	C2	C3	C4	C5	C6	C7	C8	C9	ØE	INLET & OUTLET PORT	B1	B2
IGP 100/125	19	16	298.5	225	73	34	55	35	12	87	81.5	8	1.5" BSP Screwed	81.5	82.5
IGP 150	31.8	27.8	535	214	118	70	62	55	240	200	142.5	10	1.5" E Table Flange	142	142.5
IGP 200	31.8	27.8	558	226.8	118	70	62	55	240	200	142.5	10	2" E Table Flange	142	142.5
IGP 300	31.8	27.8	556.5	221.2	118	70	62	55	240	200	142.5	10	2" E Table Flange	142	142.5
IGP 500	28.5	25.5	665	252.5	135	102	57	40	252.5	220	188.5	13.5	3" E Table Flange	184	188.5
IGP 1000	-	-	-	-	-	-	-	-	-	-	-	-	-	-	-

Technical Specification

Series	Suction Discharge	Q LPM	RECOMMENDED HP at 7KG/CM2	RPM
IGP 030X02	½" S	5	0.5	1440
IGP 045X02	½" S	7	0.5	1440
IGP 060X02	½" S	10	0.5	1440
IGP 1000X02	¾" S	15	0.75	1440
IGP 2000X02	¾" S	30	1.0	1440
IGP 2500X02	1" S	45	1.5	1440
IGP 100-125	1½" S	90	3.0	1440
IGP 150	1½" F	150	7.5	750
IGP 200	2" F	250	10	750
IGP 300	2" F	350	10	750
IGP 500	3" F	500	15	600
IGP 1000	4" F	1000	30	450

Prakash Pumps

J-29/30, 1st Phase, J type Area, GIDC,
Vapi - 396195, Gujarat, India.
info@figpumps.com

+91 26029 64267 | +91 94093 01772



Scan QR-Code
To Visit Website